

Switchmode Driver for 3- ϕ Brushless DC Motors

FEATURES

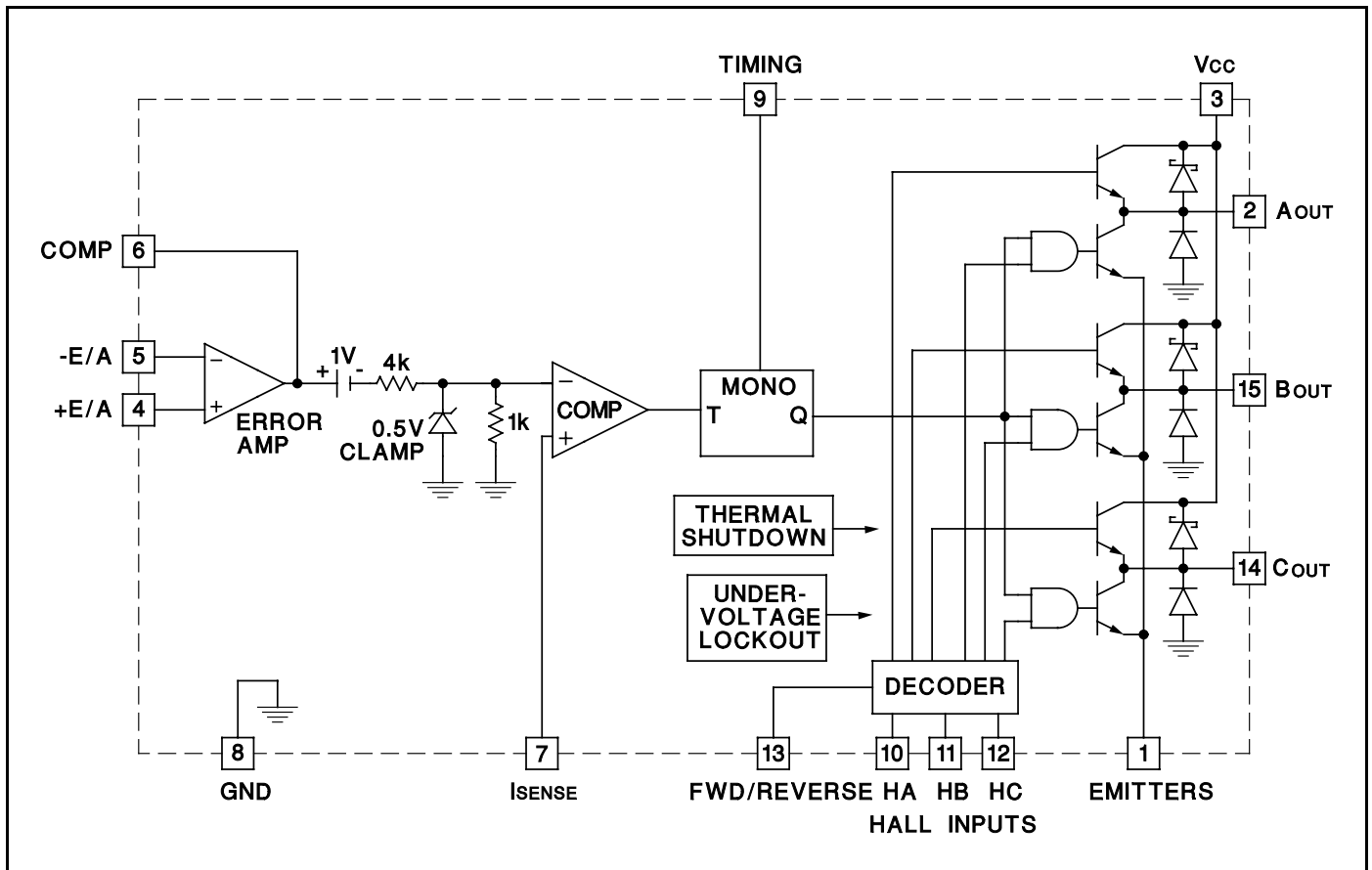
- 2A Continuous, 3A Peak Output Current
- 8V to 40V Operation
- Internal High Gain Amplifier for Velocity Control Applications
- TTL Compatible Hall Inputs
- Mask Programmable Decode Logic
- Pulse-by-Pulse Current Limiting
- Internal Thermal Shutdown Protection
- Under-Voltage Lockout
- Available in SP Hermetic Package

DESCRIPTION

The UC3620 is a brushless DC motor driver capable of decoding and driving all 3 windings of a 3-phase brushless DC motor. In addition, an on-board current comparator, oscillator, and high gain Op-Amp provide all necessary circuitry for implementing a high performance, chopped mode servo amplifier. Full protection, including thermal shutdown, pulse-by-pulse current limiting, and under-voltage lockout aid in the simple implementation of reliable designs. Both conducted and radiated EMI have been greatly reduced by limiting the output dv/dt to 150V/ μ s for any load condition.

The UC1620SP is characterized for operation over the full military temperature range of -55°C to +125°C, while the UC3620SP is characterized for 0°C to +70°C.

BLOCK DIAGRAM



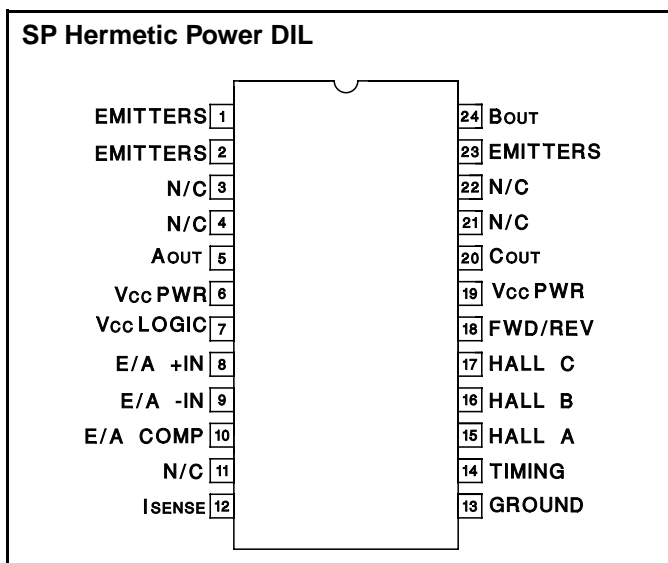
ABSOLUTE MAXIMUM RATINGS (Note 1)

Supply Voltage, V_{CC} 40V
 Output Current, Source or Sink
 Non-Repetitive (t = 100μsec), I_o 3A
 Repetitive (80% on - 20% off; t_{ON} = 10ms) 2.5A
 DC Operation 2A
 Analog Inputs -0.3 to +V_{CC}
 Logic Inputs -0.3 to +V_{CC}
 Total Power Dissipation (at T_{CASE} = 75° C)
 for SP Package (Note 2) 15W
 Storage Temperature -65°C to +150°C
 Operating Junction Temperature -55°C to +150°C

Note 1: All voltages are with respect to ground. Currents are positive into, negative out of the specified terminal.

Note 2: Consult Packaging Section of Databook for thermal limitations and considerations of package.

CONNECTION DIAGRAMS



ELECTRICAL CHARACTERISTICS: Unless otherwise stated, these specifications apply for T_A = 0°C to 70°C for 3620; T_A = 55°C to +125°C for UC1620; V_{CC} = 20V, R_T = 20V, R_T = 10k, C_T = -2.2nF. T_A=T_J.

| PARAMETER | TEST CONDITIONS | UC3620 | | | UC1620 | | | UNIT |
|--------------------------------|-------------------------------|--------|------|--------------------|--------|------|--------------------|------|
| | | MIN | TYP | MAX | MIN | TYP | MAX | |
| Error Amplifier Section | | | | | | | | |
| Input Offset Voltage | | | 1.5 | 10 | | 1.5 | 10 | mV |
| Input Bias Current | | | -.25 | -2.0 | | -.25 | -2.0 | μA |
| Input Offset Current | | | 15 | 250 | | 15 | 250 | nA |
| Common Mode Range | V _{CC} = 8V to 40V | 0 | | V _{IN} -2 | 0 | | V _{IN} -2 | V |
| Open Loop Gain | ΔV _{COMP} = 1V to 4V | 80 | 100 | | 75 | 100 | | dB |
| Unity Gain Bandwidth | T _J = 25°C, Note 2 | | 0.8 | | | 0.8 | | MHz |
| Output Sink Current | V _{COMP} = 1V | | 2 | | | 2 | | mA |
| Output Source Current | V _{COMP} = 4V | | 8 | | | 8 | | mA |
| Current Sense Section | | | | | | | | |
| Input Bias Current | | | -2.0 | -5 | | -2.0 | -5 | μA |
| Internal Clamp | | .425 | 0.5 | .575 | .405 | 0.5 | .595 | V |
| Divider Gain | | .180 | 0.2 | .220 | .170 | 0.2 | .230 | V/V |
| Internal Offset Voltage | | .8 | 1.0 | 1.2 | .75 | 1.0 | 1.25 | V |
| Timing Section | | | | | | | | |
| Output Off Time | | 18 | 20 | 22 | 17 | 20 | 23 | μs |
| Upper Mono Threshold | | | 5.0 | | | 5.0 | | V |
| Lower Mono Threshold | | | 2.0 | | | 2.0 | | V |
| Decoder Section | | | | | | | | |
| High-Level Input Voltage | | 2.2 | | | 2.5 | | | V |
| Low-Level Input Voltage | | | | 0.8 | | | 0.8 | V |
| High-Level Input Current | | | | 10 | | | 10 | μA |
| Low-Level Input Current | | -10 | | | -10 | | | μA |
| Output Section | | | | | | | | |
| Output Leakage Current | V _{CC} = 40V | | | 500 | | | 1500 | μA |
| VF1 Schottky Diode | I _o = 2A | | 1.5 | 2.0 | | 1.5 | 2.0 | V |
| VF1 Substrate Diode | I _o = 2A | | 2.2 | 3.0 | | 2.2 | 3.0 | V |
| Total Output Voltage Drop | I _o = 2A, Note 3 | | 3.0 | 3.6 | | 3.0 | 3.6 | V |

ELECTRICAL CHARACTERISTICS: Unless otherwise stated, these specifications apply for $T_A = 0^\circ\text{C}$ to 70°C for 3620; $T_A = 55^\circ\text{C}$ to $+125^\circ\text{C}$ for UC1620; $V_{CC} = 20\text{V}$, $R_T = 20\text{V}$, $R_T = 10\text{k}$, $C_T = -2.2\text{nF}$. $T_A = T_J$.

| PARAMETER | TEST CONDITIONS | UC3620 | | | UC1620 | | | UNIT |
|-------------------------------|------------------|--------|-----|-----|--------|-----|-----|------------------|
| | | MIN | TYP | MAX | MIN | TYP | MAX | |
| Output Section (cont.) | | | | | | | | |
| Output Rise Time | $R_L = 44\Omega$ | | 150 | | | 150 | | ns |
| Output Fall Time | $R_L = 44\Omega$ | | 150 | | | 150 | | ns |
| Under Voltage Lockout | | | | | | | | |
| Startup Threshold | | | | 8.0 | | | 8.0 | V |
| Threshold Hysteresis | | | 0.5 | | | 0.5 | | V |
| Thermal Shutdown | | | | | | | | |
| Junction Temperature | Note 2 | 150 | | 180 | 150 | | 180 | $^\circ\text{C}$ |
| Total Standby Current | | | | | | | | |
| Supply Current | | | 32 | 55 | | 32 | 55 | mA |

Note 2: These parameters, although guaranteed over the recommended operating conditions, are not 100% tested in production.

Note 3: The total voltage drop is defined as the sum of both top and bottom side driver.

TABLE 1

| STEP | FWD/REV | Ha | Hb | Hc | AOUT | BOUT | COUT |
|------|---------|----|----|----|------|------|------|
| 1 | 1 | 1 | 0 | 1 | H | L | O |
| 2 | 1 | 1 | 0 | 0 | H | O | L |
| 3 | 1 | 1 | 1 | 0 | O | H | L |
| 4 | 1 | 0 | 1 | 0 | L | H | O |
| 5 | 1 | 0 | 1 | 1 | L | O | H |
| 6 | 1 | 0 | 0 | 1 | O | L | H |
| 1 | 0 | 1 | 0 | 1 | L | H | O |
| 2 | 0 | 1 | 0 | 0 | L | O | H |
| 3 | 0 | 1 | 1 | 0 | O | L | H |
| 4 | 0 | 0 | 1 | 0 | H | L | O |
| 5 | 0 | 0 | 1 | 1 | H | O | L |
| 6 | 0 | 0 | 0 | 1 | O | H | L |

H = HIGH OUTPUT
L = LOW OUTPUT
O = OPEN OUTPUT

CIRCUIT DESCRIPTION

The UC3620 is designed for implementation of a complete 3- ϕ brushless DC servo drive using a minimum number of external components. Below is a functional description of each major circuit feature.

DECODER

Table 1 shows the decoding scheme used in the UC3620 to decode and drive each of three high current totem pole output stages. A forward/reverse signal, pin 13, is used to provide direction. At any point in time, one driver is sourcing, one driver is sinking, and the remaining driver is off or tri-stated. Pulse width modulation is accomplished by turning the sink driver off during the monostable reset time, producing a fixed off-time chop mode. Controlled output rise and fall times help reduce electrical switching noise while maintaining relatively small switching losses.

Hall lines require pull-up resistors.

CURRENT SENSING

Referring to Figure 1, emitter current is sensed across R_S and fed back through a low pass filter to the current sense pin 7. This filter is required to eliminate false triggering of the monostable due to leading edge current spikes. Actual filter values, although somewhat dependent on external loads, will generally be in the $1\text{k}\Omega$ and 1000pF range.

TIMING

An R-C time constant on pin 9 is used by the monostable to generate a fixed off time at the outputs according to the formula:

$$T_{OFF} = .916RTCT$$

As the peak current in the emitters approaches the value at the minus (-) input of the on-board comparator, the monostable is triggered, causing the outputs to be turned

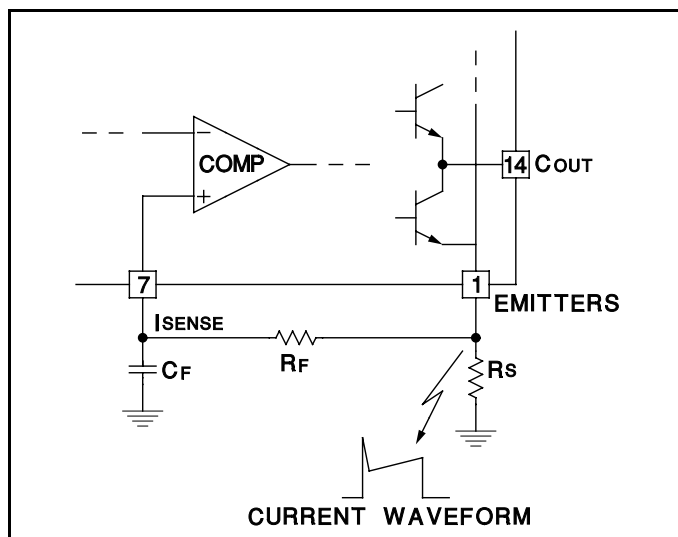


Figure 1. Current Sense Filter

CIRCUIT DESCRIPTION (cont.)

off. On time is determined by the amount of time required for motor current to increase to the value required to re-trip the monostable. A timing sequence of these events is shown in Figure 2.

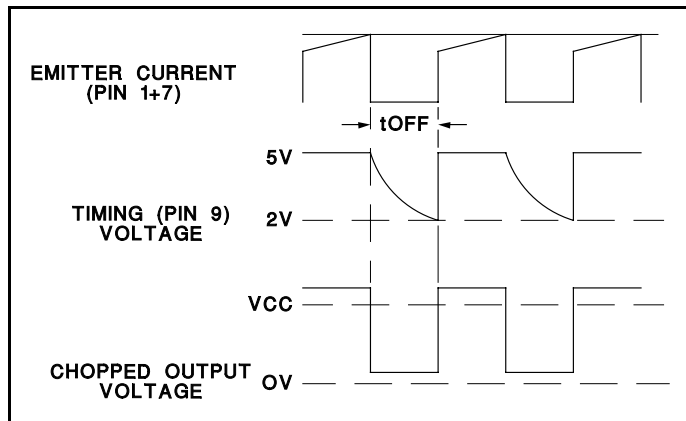


Figure 2. Chopped Mode Timing Diagram

CURRENT LIMIT

Since peak current is being controlled at all times by the internal comparator, a simple voltage clamp at its negative (-) input will limit peak current to a maximum value. A fixed 0.5V internal clamp has been included on the UC3620, and any current spike in the output which generates a sensed voltage greater than 0.5V will immediately shut down the outputs. Actual peak current values may be programmed by selecting the appropriate value of R_s according to the formula:

$$R_s = \frac{0.5}{I_{CURRENTLIMIT}}$$

Since peak current is being controlled at all times by the internal comparator, a simple voltage clamp at its nega-

tive (-) input will limit peak current to a maximum value. A fixed 0.5V internal clamp has been included on the UC3620, and any current spike in the output which generates a sensed voltage greater than 0.5V will immediately shut down the outputs. Actual peak current values may be programmed by selecting the appropriate value of R_s according to the formula:

$$R_s = \frac{0.5}{I_{CURRENTLIMIT}}$$

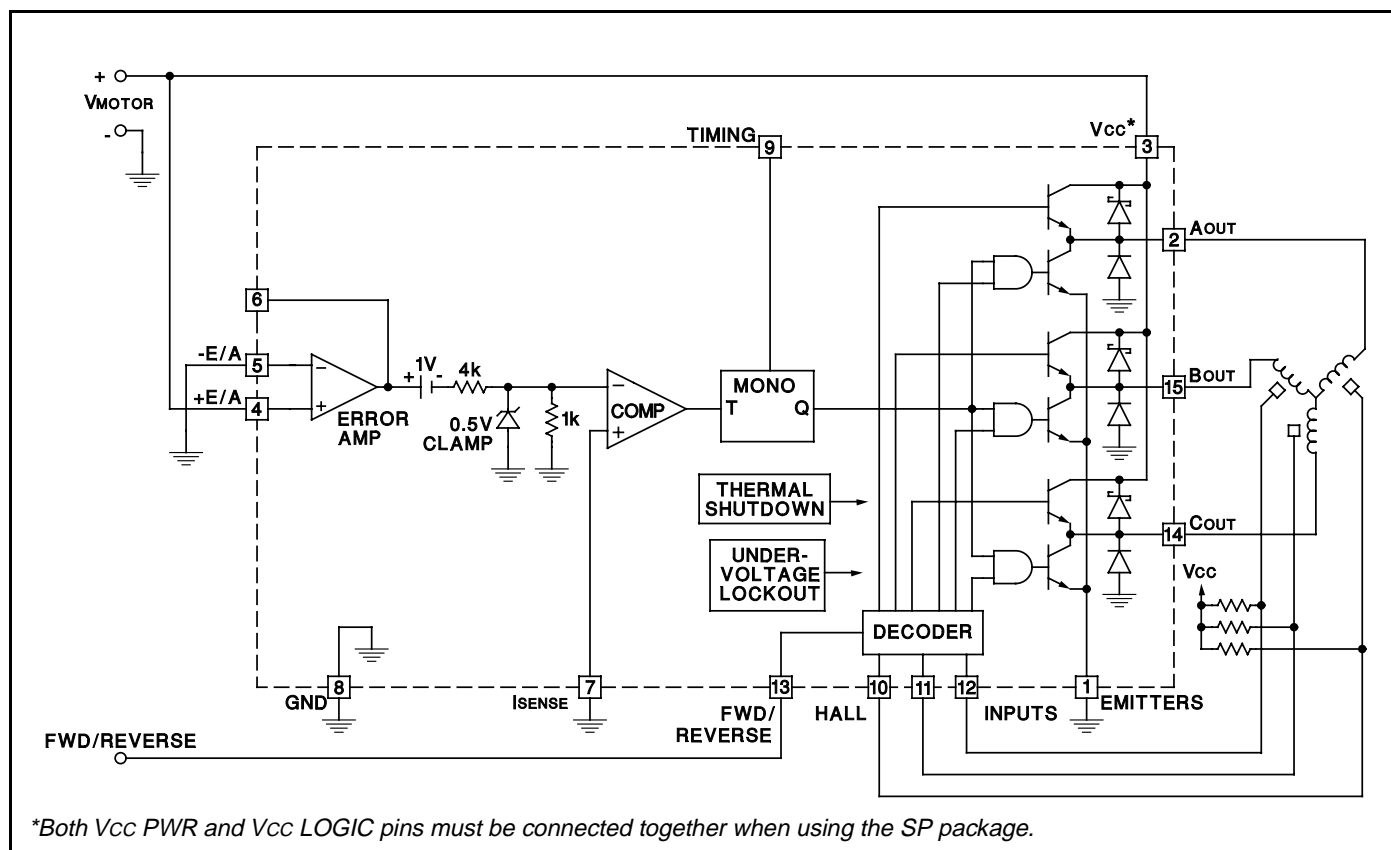
ERROR AMPLIFIER LIMIT

A high performance, on-board error amplifier is included to facilitate implementing closed loop motor control. Error voltage generation and loop compensation are easily accomplished by appropriately configuring the gain and feedback of this amplifier. To provide a larger dynamic signal range at the output of the error amplifier, a divide by 5 resistor network is used to reduce the error signal level before applying to the internal comparator. In addition, a one volt offset has been introduced at the output of the error amplifier to guarantee control down to zero current in the output stages. Since this offset is divided by the open loop gain of the feedback loop, it has virtually no effect on closed loop performance.

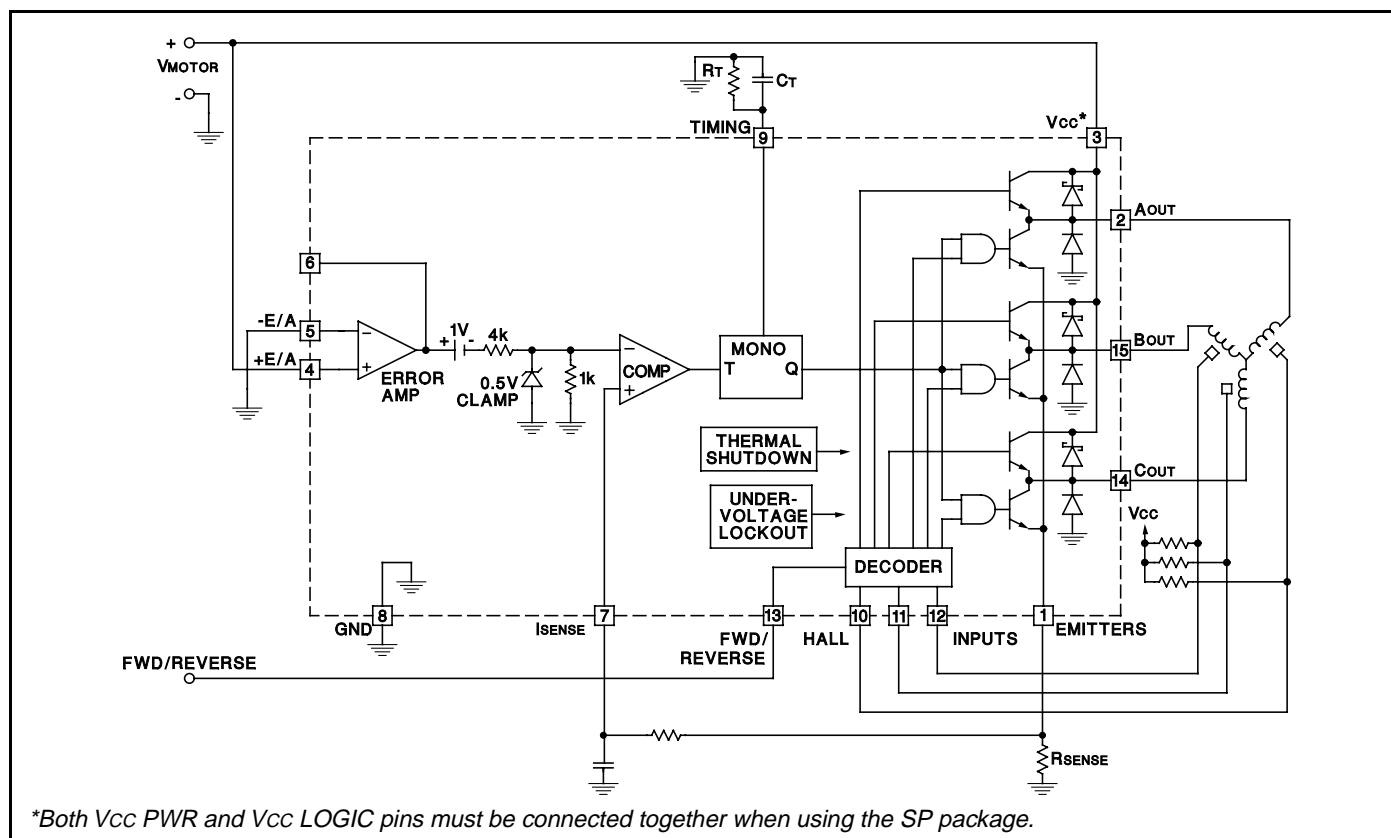
PROTECTION FUNCTIONS

Protective functions including under-voltage lockout, peak current limiting, and thermal shutdown, provide an extremely rugged device capable of surviving under many types of fault conditions. Under-voltage lockout guarantees the outputs will be off or tri-stated until V_{CC} is sufficient for proper operation of the chip. Current limiting limits the peak current for a stalled or shorted motor, whereas thermal shutdown will tri-state the outputs if a temperature above 150°C is reached.

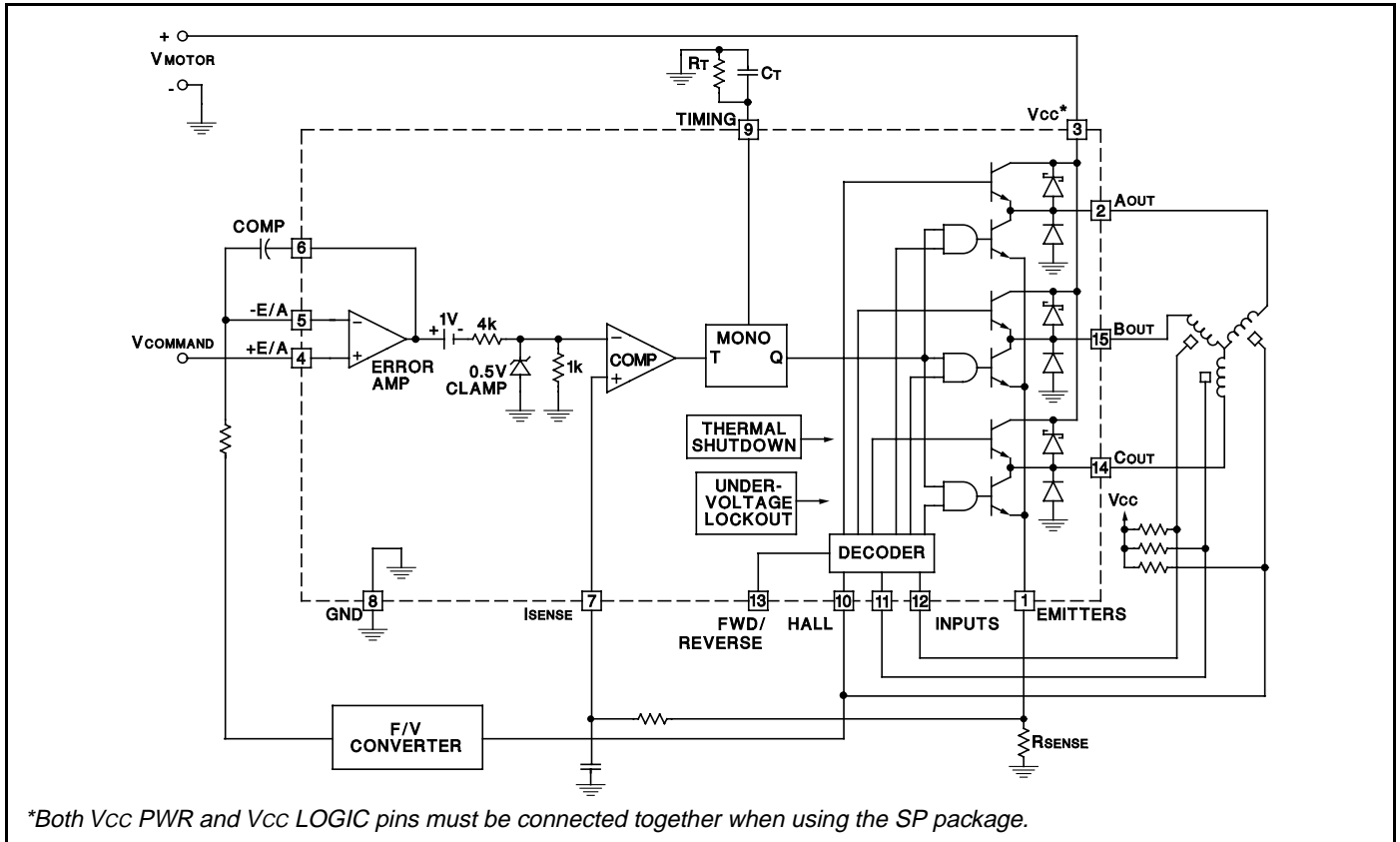
TYPICAL APPLICATIONS



3- \emptyset Brushless DC Open Loop Motor Drive



3- \emptyset Brushless DC Open Loop Motor with Current Limit at 2A.



Closed Loop Speed Control Servo